

PART NUMBER	ITEM NUMBER	M3 THREADED INSERT
SDA-71624-2000	051-25-1040	YES
SDA-71624-2004	71624-2004	NO

REV.	DATE	BY	CHK'D.	SCALE	APPROV.
				4: 1	
M		J			
L		I			
LTR.	REVISIONS	LTR.	REVISIONS		

DIMENSIONS SHOWN (METRIC) INCH		▽ = 0 ▽ = 0		REVISE ONLY ON CAD SYSTEM	
UNLESS OTHERWISE SPECIFIED TOLERANCES ANGULAR ± 1/2°					
3 PLACE	± .010	---			
2 PLACE	± ---	± ---			
1 PLACE	---	± ---			
DRAWING MADE IN U.S.A.					
DRAWING MADE IN U.S.A.					
DRAWING MADE IN U.S.A.				DRAWING MADE IN U.S.A.	
DRAWING MADE IN U.S.A.				DRAWING MADE IN U.S.A.	
DRAWING MADE IN U.S.A.				DRAWING MADE IN U.S.A.	
DRAWING MADE IN U.S.A.				DRAWING MADE IN U.S.A.	

**SEE CHART**

FILE NAME: 57162421.DWG

DATE: 9/11/91

MOLEX INCORPORATED

SALES ASSEMBLY

SDA-71624-200\*

2 M  
1 M  
MFG. SH. REV.

NOTES:

1) MATERIALS:

HOUSING: GLASS FILLED LCP (LIQUID CRYSTAL POLYMER),  
UL 94V-0, COLOR: BLACK.  
TAIL ALIGNER: GLASS FILLED LCP (LIQUID CRYSTAL POLYMER)  
UL 94V-0, COLOR: BLACK.  
MOLDED STICK: GLASS FILLED LCP (LIQUID CRYSTAL POLYMER)  
UL 94V-0, COLOR: BLACK.  
MALE CONTACT: PHOS. BRONZE .012±.0005 THICK.  
OUTER SHELL: LOW CARBON STEEL.  
THREADED INSERT: BRASS.

2) PLATING :

TERMINAL: .000030/(0.00076) MINIMUM GOLD IN SELECTIVE AREA;  
.000100/(0.00254) TIN IN SELECTIVE AREA;  
OVER NICKEL UNDERPLATE OVERALL.

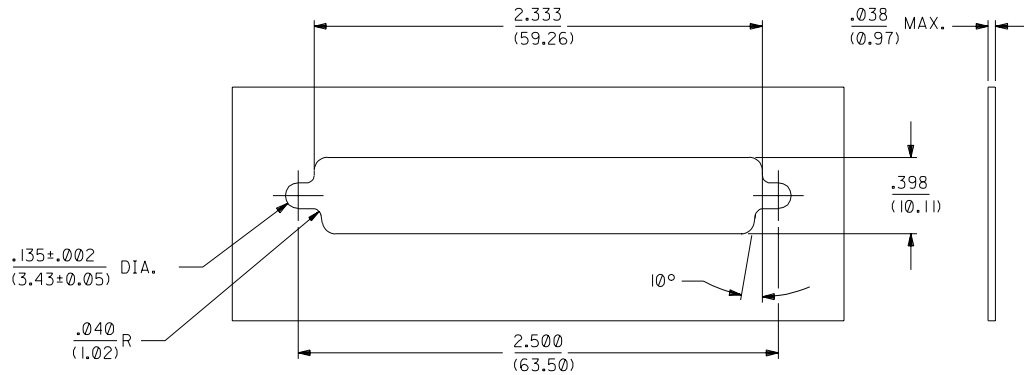
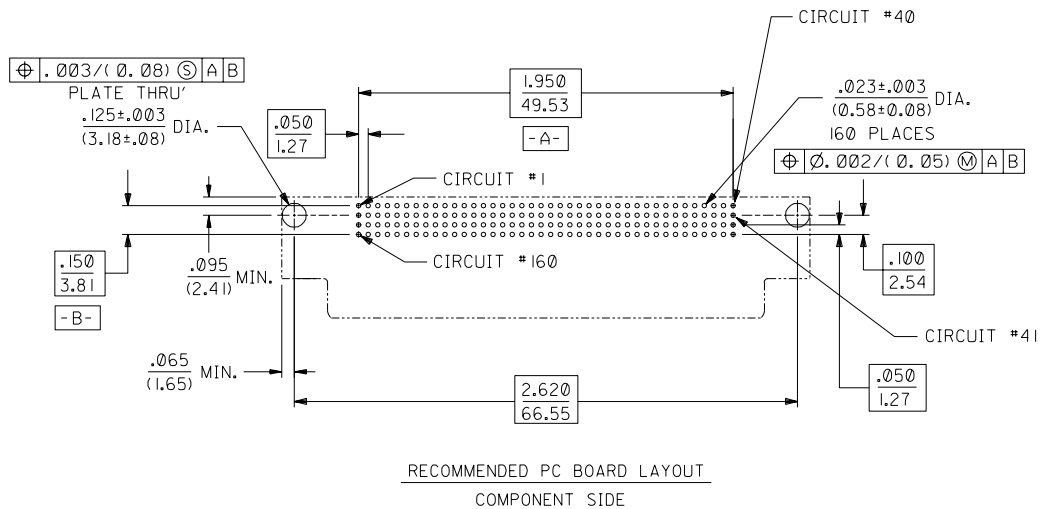
OUTER SHELL: .000150/(0.00381) MINIMUM TIN OVER  
.000050/(0.00127) MINIMUM NICKEL OVER  
COPPER FLASH (OPTIONAL).

3) THIS PART CONFORMS TO MOLEX PRODUCT SPECIFICATION PS-71626.

4) PACKAGING SPECIFICATION PK-70873-0224 APPLIES.

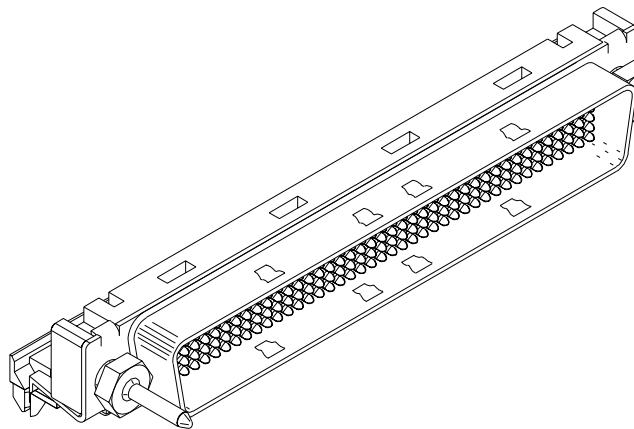
NOTE FOR LEAD FREE CONVERSION:

THE PRIMARY SHIPPING CARTON WILL BE  
LABELED "COMPLIANT TO ROHS DIRECTIVE  
2002/95/EC AND ELV ANNEX II OF  
DIRECTIVE 2000/53/EC". CARTONS  
WITHOUT THIS LABEL MAY CONTAIN  
PRODUCT WITH LEAD.



PANEL CUT-OUT DIMENSIONS  
ALL TOLERANCES ±.003/(0.08)  
UNLESS OTHERWISE STATED.

FOR OPTIONAL HARDWARE DETAILS  
SEE SDA-71628-\*\*\*\*\*



M		SEE SHEET I	DIMENSIONS SHOWN (METRIC) INCH		▽ = 0 ▽ = 0 REVISE ONLY ON CAD SYSTEM	
K		SEE SHEET I	UNLESS OTHERWISE SPECIFIED TOLERANCES: ANGULAR ± 1/2°		TITLE	
J		SEE SHEET I	3 PLACE ± .010 ---		.050" Pitch LFH 160 Ckt. Right Angle I/O Male Sales Assembly	
LTR.		REVISIONS	2 PLACE ± --- ± ---		MOLEX INCORPORATED SHEET NO. DATE	
			1 PLACE --- ± ---		LITSE,ILL. 60532 U.S.A. 2 9/12/91	
			DRAFT WHERE APPLICABLE MUST REMAIN WITHIN DIMENSIONS		PART NO. DRWG. NO.	
			DRWG. BY CAB CHK'D BY BIXLER		SEE SHEET I SDA-71624-200*	
			APPR'D BY CAB SCALE 2:1		FILE NAME 57162422.DWG	
					THIS DRAWING CONTAINS INFORMATION THAT IS PROPRIETARY TO MOLEX INC. AND SHOULD NOT BE USED WITHOUT WRITTEN PERMISSION.	
					DIV. SIZE CD C	